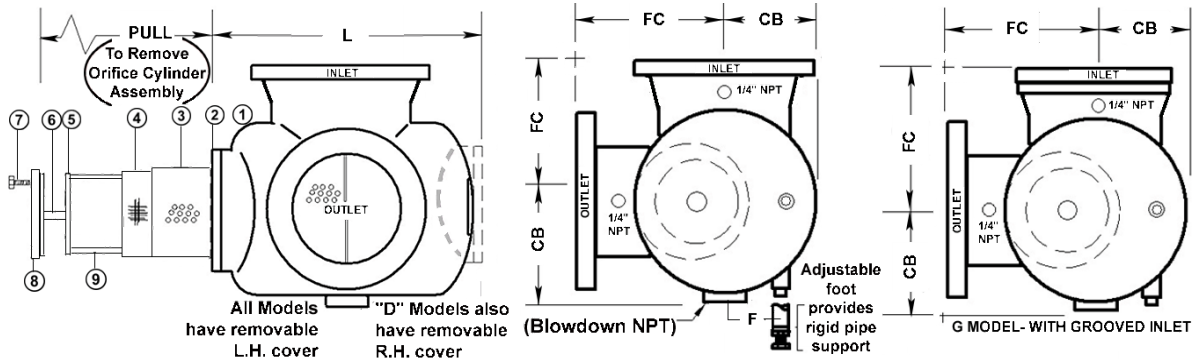


DOUBLE SUCTION DIFFUSER

U.S. PATENT 3727643

SUBMITTAL

DATE 10/1/18



*Grooved units not compatible with Advanced Groove System®

Materials of Construction -All Units- -Maximum Temperature 250° F -Test Pressure 1-1/2 x WP	1 Body – Ductile Iron	4 Start Up Strainer – Copper	7 Bolts – SA 193
	2 Cover – Cast Iron	5 Venturi Ring – Bronze	8 O-Ring – Buna-N
	3 Orifice Cylinder – 304 SS	6 Cylinder Positioner – 304 SS	9 Tie Rods – 18-8 SS

INLET (SYSTEM)		OUTLET (PUMP)	COVER	125# W.P. MODEL	WEIGHT LBS	250# W.P. MODEL	WEIGHT LBS	DIMENSIONS					
SIZE	TYPE	FLANGE						FC	CB	PULL	L	F	NPT
10"	FLANGE	10"	LH DUAL	A10x10-125 DA10x10-125	540 575	A10x10-250 DA10x10-250	620 655	15"	10"	14"	27"	6"	1.5"
		12"	LH DUAL	A10x12-125 DA10x12-125	550 585	A10x12-250 DA10x12-250	640 675						
		14"	LH DUAL	A10x14-125 DA10x14-125	570 605	A10x14-250 DA10x14-250	670 705						
	GROOVE	10"	LH DUAL	GA10x10-125 DGA10x10-125	500 535	GA10x10-250 DGA10x10-250	540 585						
		12"	LH DUAL	GA10x12-125 DGA10x12-125	510 545	GA10x12-250 DGA10x12-250	555 590						
		14"	LH DUAL	GA10x14-125 DGA10x14-125	530 565	GA10x14-250 DGA10x14-250	580 615						
12"	FLANGE	10"	LH DUAL	A12x10-125 DA12x10-125	550 585	A12x10-250 DA12x10-250	640 675	15"	10"	14"	27"	6"	1.5"
		12"	LH DUAL	A12x12-125 DA12x12-125	575 610	A12x12-250 DA12x12-250	660 695						
		14"	LH DUAL	B12x14-125 DB12x14-125	740 790	B12x14-250 DB12x14-250	840 890						
	GROOVE	10"	LH DUAL	GA12x10-125 DGA12x10-125	500 535	GA12x10-250 DGA12x10-250	540 575						
		12"	LH DUAL	GA12x12-125 DGA12x12-125	525 560	GA12x12-250 DGA12x12-250	575 610						
		14"	LH DUAL	GB12x14-125 DGB12x14-125	690 740	GB12x14-250 DGB12x14-250	740 790						
14"	FLANGE	10"	LH DUAL	A14x10-125 DA14x10-125	570 605	A14x10-250 DA14x10-250	670 705	15"	10"	14"	27"	6"	1.5"
		12"	LH DUAL	A14x12-125 B14x12-125 DA14x12-125 DB14x12-125	610 740 645 790	A14x12-250 B14x12-250 DA14x12-250 DB14x12-250	790 840 725 890						
		14"	LH DUAL	B14x14-125 DB14x14-125	760 810	B14x14-250 DB14x14-250	860 910						
	GROOVE	10"	LH DUAL	GA14x10-125 DGA14x10-125	510 545	GA14x10-250 DGA14x10-250	580 615						
		12"	LH DUAL	GA14x12-125 GB14x12-125 DGA14x12-125 DGB14x12-125	510 690 545 740	GA14x12-250 GB14x12-250 DGA14x12-250 DGB14x12-250	560 740 595 790						
		14"	LH DUAL	GB14x14-125 DGB14x14-125	700 750	GB14x14-250 DGB14x14-250	800 850						
16"	FLANGE	12"	LH DUAL	B16x12-125 DB16x12-125	790 840	B16x12-250 DB16x12-250	890 940	17"	12"	16"	32"	7"	1.5"
		14"	LH DUAL	B16x14-125 DB16x14-125	820 870	B16x14-250 DB16x14-250	920 970						
		16"	DUAL	DC16x16-125	1320	DC16x16-250	1420						
		18"	DUAL	DC16x18-125	1370	DC16x18-250	1470						
18"	FLANGE	20"	DUAL	DC16x20-125	1420	DC16x20-250	1520	23"	16"	23"	42"	10"	2"
		16"	DUAL	DC18x16-125	1370	DC18x16-250	1470						
		18"	DUAL	DC18x18-125	1420	DC18x18-250	1520						
20"	FLANGE	20"	DUAL	DC18x20-125	1470	DC18x20-250	1570	23"	16"	23"	42"	10"	2"
		16"	DUAL	DC20x16-125	1420	DC20x16-250	1520						
		18"	DUAL	DC20x18-125	1470	DC20x18-250	1570						
		20"	DUAL	DC20x20-125	1500	DC20x20-250	1600						

24"	FLANGE	16"	DUAL
		18"	
		20"	

DC24x16-125	1450
DC24x18-125	1500
DC24x20-125	1550

DC24x16-250	1550
DC24x18-250	1600
DC24x20-250	1650

--	--	--	--	--	--	--